

Electric powered forklift 1.5 - 2.0 ton

BT cargo

BT Cargo 48V



C3E150II
C3E160(L)II
C3E180(L)II
C3E200II
C4E160(L)II
C4E180LII
C4E200(L)II



C3E150II, C3E160(L)II

Specifications					C3E150II	C3E160II	C3E160LII
Identification	1.1	Manufacturer			Toyota	Toyota	Toyota
	1.2	Model			C3E150II	C3E160II	C3E160LII
	1.3	Drive			Electric	Electric	Electric
	1.4	Operator type			Rider seated	Rider seated	Rider seated
	1.5	Load capacity/rated load	Q	kg	1500	1600	1600
	1.6	Load centre	c	mm	500	500	500
	1.8	Load distance, centre of drive axle to fork	x	mm	317	317	317
	1.9	Wheelbase	y	mm	1305	1413	1521
Weight	2.1	Service weight		kg	2976	3002	2981
	2.2	Axle load, with load, front/rear		kg	3953/523	4092/510	4097/484
	2.3	Axle load, without load, front/rear		kg	1451/1525	1508/1494	1584/1397
Tyres	3.1	Tyre - pneumatic (P), pneumatic shaped cushion (SE), solid rubber (R)			SE	SE	SE
	3.2	Tyre size, front			18x7-8	18x7-8	18x7-8
	3.3	Tyre size, rear			15x4.1/2x8	15x4.1/2x8	15x4.1/2x8
	3.5	Wheels, number front/rear (x = driven wheels)			2x/2	2x/2	2x/2
	3.6	Track width, front	b ₁₀	mm	905	905	905
	3.7	Track width, rear	b ₁₁	mm	180,6	180,6	180,6
	Dimensions	4.1	Tilt of mast/fork carriage forward/backward	α/β	deg	5/7	5/7
4.2		Height, mast lowered	h ₁	mm	2120	2120	2120
4.3		Free lift	h ₂	mm	115	115	115
4.4		Lift	h ₃	mm	3300	3300	3300
		Lift height	h ₂₃	mm	3335	3335	3335
4.5		Height, mast extended	h ₄	mm	3870	3870	3870
4.7		Height of overhead guard (cab)	h ₆	mm	2055	2055	2055
4.8		Seat height/stand height	h ₇	mm	1051	1051	1051
4.12		Coupling height	h ₁₀	mm	537	537	537
4.19		Overall length	l ₁	mm	2772	2880	2988
4.20		Length to face of forks	l ₂	mm	1772	1880	1988
4.21		Overall width	b ₁	mm	1060	1060	1060
4.22		Fork dimensions	s/e/l	mm	35/100/1000	35/100/1000	35/100/1000
4.23		Fork carriage DIN 15 173, class/type A, B			IIA	IIA	IIA
4.24		Fork-carriage width	b ₃	mm	920	920	920
4.31		Ground clearance, with load, below mast	m ₁	mm	80	80	80
4.32		Ground clearance, centre of wheelbase	m ₂	mm	90	90	90
4.33		Aisle width for pallets 1000x1200 crossways	A _{st}	mm	3102	3210	3318
4.34	Aisle width for pallets 800x1200 lengthways	A _{st}	mm	3223	3331	3440	
4.35	Turning radius	W _a	mm	1455	1563	1671	
4.36	Internal turning radius	b ₁₃	mm	0	0	0	
Performance data	5.1	Travel speed, with/without load		km/h	16/16	16/16	16/16
	5.2	Lift speed, with/without load		m/s	0,44/0,61	0,43/0,61	0,43/0,61
	5.3	Lowering speed, with/without load		m/s	0,53/0,55	0,53/0,55	0,53/0,55
	5.5	Drawbar pull, with/without load		N	5068/5158	5041/5149	5044/5153
	5.6	Max. drawbar pull, with/without load		N	9519/9424	9491/9415	9495/9419
	5.7	Gradeability, with/without load		%	16,9/22,0	16,3/23,4	16,3/25,3
	5.8	Max. gradeability, with/without load		%	23,1/22,00	22,2/23,4	22,3/25,3
	5.9	Acceleration time, with/without load		s	4,5/4,1	4,6/4,2	4,6/4,2
	5.10	Service brake			Hydraulic	Hydraulic	Hydraulic
	Electric motor	6.1	Drive motor rating S2 60 min		kW	6x2	6x2
6.2		Lift motor rating S2 5 min		kW	11,7	11,7	11,7
6.3		Battery according to DIN 43 531/35/36 A, B, C, no			43 531A	43 531A	43 531A
6.4		Battery voltage, nominal capacity K _s		V/Ah	48/440	48/550	48/660
6.5		Battery weight		kg	708	856	1013
6.6		Energy consumption acc. to EN16796:2016		kWh/h	3.5	3.9	3.9
Other	8.1	Type of drive control			inverter MOSFET	inverter MOSFET	inverter MOSFET
	8.2	Operating pressure for attachments		bar	183	183	183
	8.3	Oil volume for attachments		l/min	41,3	41,3	41,3
	8.4	Sound level at the driver's ear according to EN 12 053		dB(A)	69,7	69,7	69,7

Mast dimensions and rated capacities

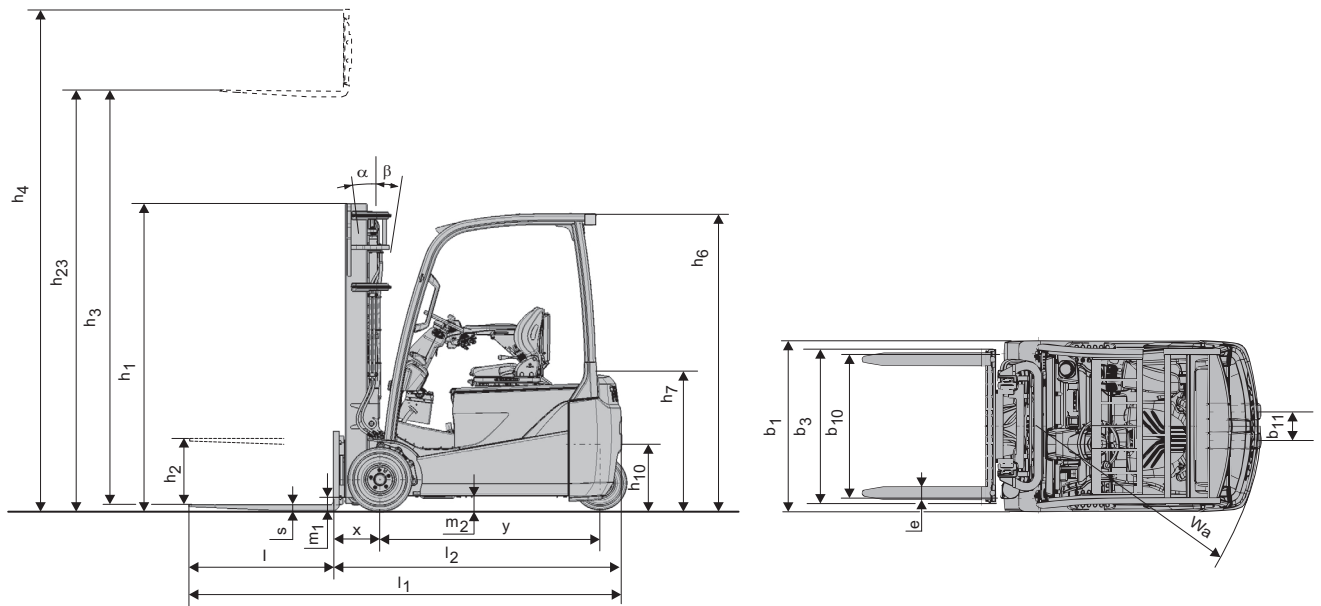
Model			V								FV				FW				FSV						FSW									
C3E150II/C3E160II C3E160LII	Lift height	h_{23}	3035	3335	3535	3735	4035	4535	5035	3035	3335	3535	3735	3035	3335	3535	3735	4335	4535	4735	5035	5535	6035	4335	4535	4735	5035	5535	6035	6535	7035	7535		
	Lift	h_3	3000	3300	3500	3700	4000	4500	5000	3000	3300	3500	3700	3000	3300	3500	3700	3500	3700	4300	4500	4700	5000	5500	6000	4300	4500	4700	5000	5500	6000	6500	7000	7500
	Height, mast lowered	h_1	1970	2120	2220	2380	2570	2820	3070	1970	2120	2220	2380	2000	2150	2250	2350	1970	2040	2120	2220	2380	2570	1980	2050	2150	2250	2450	2600	2800	3000	3200		
	Height, mast extended ¹⁾	h_4	3570	3870	4070	4270	4570	5070	5570	3580	3880	4080	4280	3555	3855	4055	4255	4845	5045	5245	5545	6045	6545	4845	5045	5245	5545	6045	6545	7045	7545	8045		
	Height, mast extended ²⁾	h_4	4260	4560	4760	4960	5260	5760	6260	4260	4560	4760	4960	4260	4560	4760	4960	5560	5760	5960	6260	6760	7260	5560	5760	5960	6260	6760	7260	7760	8260	8760		
	Free lift, without load backrest	h_2	80	80	80	80	80	80	80	1430	1580	1680	1840	1440	1590	1690	1790	1460	1530	1610	1710	1870	2060	1430	1500	1600	1700	1900	2050	2250	2450	2650		
Free lift, with load backrest	h_2	80	80	80	80	80	80	80	745	895	995	1155	735	885	985	1085	745	815	895	995	1155	1345	715	785	885	985	1185	1335	1535	1735	1935			

1) Without load backrest.

2) With load backrest; Height of standard load backrest is 1220 mm.

Pneumatic shaped cushion tyre			V								FV				FW				FSV						FSW						
C3E150II	Tilt range, forward	deg	5	5	5	5	5	5	5	5	5	5	5	5	5	5	5	5	5	5	5	5	5	5	5	5	5	5	5	5	5
	Tilt range, backward	deg	7(5)	7(5)	7(5)	7(5)	7(5)	7(5)	7(5)	7(5)	7(5)	7(5)	7(5)	7(5)	7(5)	7(5)	7(5)	7(5)	7(5)	7(5)	7(5)	7(5)	7(5)	7(5)	7(5)	7(5)	7(5)	7(5)	7(5)	7(5)	7(5)
	Load capacity at 500 mm LC	kg	1500	1500	1500	1500	1500	1500	1450	1500	1500	1500	1500	1500	1500	1500	1500	1470	1440	1420	1390	1340	1150	1470	1440	1420	1390	1340	1150	850	650
C3E160II	Tilt range, forward	deg	5	5	5	5	5	5	5	5	5	5	5	5	5	5	5	5	5	5	5	5	5	5	5	5	5	5	5	5	5
	Tilt range, backward	deg	7(5)	7(5)	7(5)	7(5)	7(5)	7(5)	7(5)	7(5)	7(5)	7(5)	7(5)	7(5)	7(5)	7(5)	7(5)	7(5)	7(5)	7(5)	7(5)	7(5)	7(5)	7(5)	7(5)	7(5)	7(5)	7(5)	7(5)	7(5)	7(5)
	Load capacity at 500 mm LC	kg	1600	1600	1600	1600	1600	1600	1600	1600	1600	1600	1600	1600	1600	1600	1600	1550	1530	1500	1450	1300	1600	1550	1530	1500	1450	1300	1000	750	550
C3E160LII	Tilt range, forward	deg	5	5	5	5	5	5	5	5	5	5	5	5	5	5	5	5	5	5	5	5	5	5	5	5	5	5	5	5	5
	Tilt range, backward	deg	7(5)	7(5)	7(5)	7(5)	7(5)	7(5)	7(5)	7(5)	7(5)	7(5)	7(5)	7(5)	7(5)	7(5)	7(5)	7(5)	7(5)	7(5)	7(5)	7(5)	7(5)	7(5)	7(5)	7(5)	7(5)	7(5)	7(5)	7(5)	7(5)
	Load capacity at 500 mm LC	kg	1600	1600	1600	1600	1600	1550	1600	1600	1600	1600	1600	1600	1600	1600	1600	1560	1510	1400	1300	1600	1600	1560	1510	1400	1300	1000	750	550	

Data in () are for when "Cabin Series" is selected (minimum front windshield).



Underclearance		
Mast, load	mm	80
Drive axle, load	mm	81
Center of wheelbase, load	mm	90
Counterweight, no load	mm	55
Frame, load	mm	75

Frame underclearance for battery side-out model is 10 mm less than standard model.

C3E180(L)II

Specifications					C3E180II	C3E180LII
Identification	1.1	Manufacturer			Toyota	Toyota
	1.2	Model			C3E180II	C3E180LII
	1.3	Drive			Electric	Electric
	1.4	Operator type			Rider seated	Rider seated
	1.5	Load capacity/rated load	Q	kg	1800	1800
	1.6	Load centre	c	mm	500	500
	1.8	Load distance, centre of drive axle to fork	x	mm	317	317
	1.9	Wheelbase	Y	mm	1413	1521
	Weight	2.1	Service weight			3119
2.2		Axle load, with load, front/rear			4390/529	4391/544
2.3		Axle load, without load, front/rear			1497/1622	1571/1564
Tyres	3.1	Tyre - pneumatic (P), pneumatic shaped cushion (SE), solid rubber (R)			SE	SE
	3.2	Tyre size, front			18x7-8	18x7-8
	3.3	Tyre size, rear			140/55 - 9	140/55 - 9
	3.5	Wheels, number front/rear (x = driven wheels)			2x/2	2x/2
	3.6	Track width, front	b ₁₀	mm	905	905
	3.7	Track width, rear	b ₁₁	mm	186,2	186,2
	Dimensions	4.1	Tilt of mast/fork carriage forward/backward	α/β	deg	5/7
4.2		Height, mast lowered	h ₁	mm	2120	2120
4.3		Free lift	h ₂	mm	115	115
4.4		Lift	h ₃	mm	3300	3300
		Lift height	h ₂₃	mm	3335	3335
4.5		Height, mast extended	h ₄	mm	3870	3870
4.7		Height of overhead guard (cab)	h ₆	mm	2055	2055
4.8		Seat height/stand height	h ₇	mm	1051	1051
4.12		Coupling height	h ₁₀	mm	543	543
4.19		Overall length	l ₁	mm	2880	2988
4.20		Length to face of forks	l ₂	mm	1880	1988
4.21		Overall width	b ₁	mm	1060	1060
4.22		Fork dimensions	s/e/l	mm	35/100/1000	35/100/1000
4.23		Fork carriage DIN 15 173, class/type A, B			IIA	IIA
4.24		Fork-carriage width	b ₃	mm	920	920
4.31		Ground clearance, with load, below mast	m ₁	mm	80	80
4.32		Ground clearance, centre of wheelbase	m ₂	mm	90	90
4.33		Aisle width for pallets 1000x1200 crossways	A _{st}	mm	3210	3318
4.34		Aisle width for pallets 800x1200 lengthways	A _{st}	mm	3331	3440
4.35		Turning radius	W _a	mm	1563	1671
4.36	Internal turning radius	b ₁₃	mm	0	0	
Performance data	5.1	Travel speed, with/without load		km/h	16/16	16/16
	5.2	Lift speed, with/without load		m/s	0,42/0,61	0,42/0,61
	5.3	Lowering speed, with/without load		m/s	0,53/0,55	0,53/0,55
	5.5	Drawbar pull, with/without load		N	4979/5126	4986/5133
	5.6	Max. drawbar pull, with/without load		N	9429/9392	9437/9399
	5.7	Gradeability, with/without load		%	15,0/22,1	15,1/24,1
	5.8	Max. gradeability, with/without load		%	20,5/22,1	20,7/24,1
	5.9	Acceleration time, with/without load		s	4,7/4,3	4,7/4,3
	5.10	Service brake			Hydraulic	Hydraulic
	Electric motor	6.1	Drive motor rating S2 60 min		kW	6x2
6.2		Lift motor rating S2 5 min		kW	11,7	11,7
6.3		Battery according to DIN 43 531/35/36 A, B, C, no			43 531A	43 531A
6.4		Battery voltage, nominal capacity K _s		V/Ah	48/550	48/660
6.5		Battery weight		kg	856	1013
6.6		Energy consumption acc. to EN16796:2016		kWh/h	4,3	4,3
Other	8.1	Type of drive control			inverter MOSFET	inverter MOSFET
	8.2	Operating pressure for attachments		bar	183	183
	8.3	Oil volume for attachments		l/min	41,3	41,3
	8.4	Sound level at the driver's ear according to EN 12 053		dB(A)	69,7	69,7

Mast dimensions and rated capacities

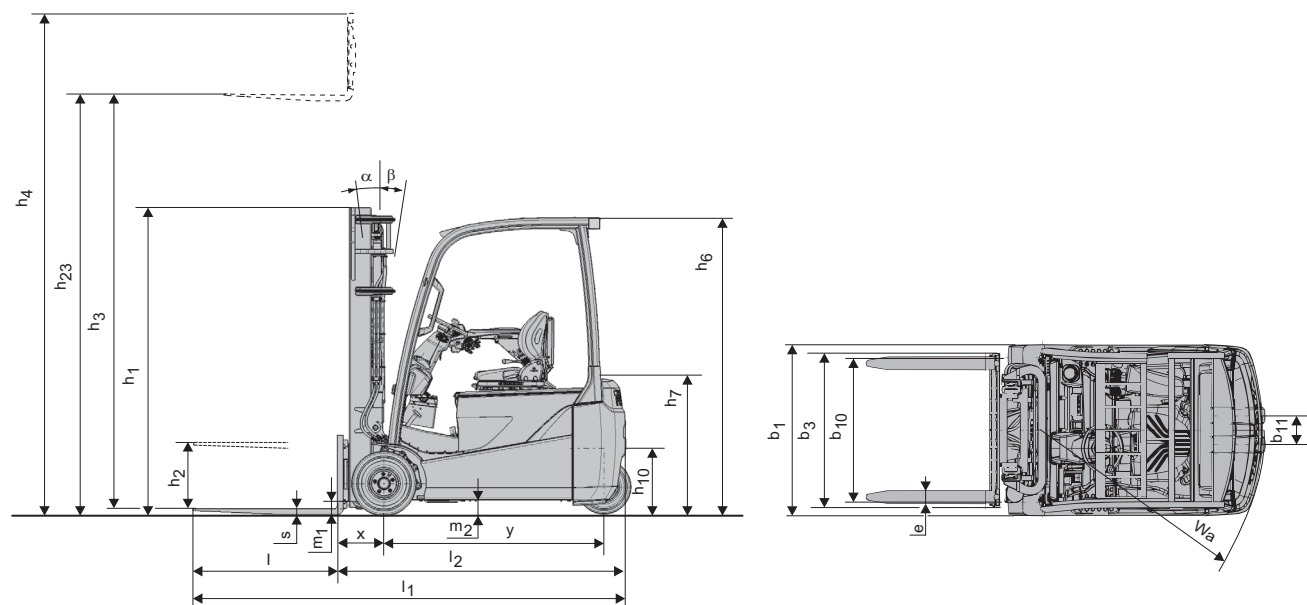
Model			V								FV				FW				FSV					FSW										
C3E180II/C3E180LII	Lift height	h_{23}	3035	3335	3535	3735	4035	4535	5035	3035	3335	3535	3735	3035	3335	3535	3735	4335	4535	4735	5035	5535	6035	4335	4535	4735	5035	5535	6035	6535	7035	7535		
	Lift	h_3	3000	3300	3500	3700	4000	4500	5000	3000	3300	3500	3700	3000	3300	3500	3700	3500	3700	4300	4500	4700	5000	5500	6000	4300	4500	4700	5000	5500	6000	6500	7000	7500
	Height, mast lowered	h_1	1970	2120	2220	2380	2570	2820	3070	1970	2120	2220	2380	2000	2150	2250	2350	1970	2040	2120	2220	2380	2570	1980	2050	2150	2250	2450	2600	2800	3000	3200		
	Height, mast extended ¹⁾	h_4	3570	3870	4070	4270	4570	5070	5570	3580	3880	4080	4280	3555	3855	4055	4255	4845	5045	5245	5545	6045	6545	4845	5045	5245	5545	6045	6545	7045	7545	8045		
	Height, mast extended ²⁾	h_4	4260	4560	4760	4960	5260	5760	6260	4260	4560	4760	4960	4260	4560	4760	4960	4760	4960	5560	5760	5960	6260	6760	7260	5560	5760	5960	6260	6760	7260	7760	8260	8760
	Free lift, without load backrest	h_2	80	80	80	80	80	80	80	1430	1580	1680	1840	1440	1590	1690	1790	1460	1530	1610	1710	1870	2060	1430	1500	1600	1700	1900	2050	2250	2450	2650		
Free lift, with load backrest	h_2	80	80	80	80	80	80	80	745	895	995	1155	735	885	985	1085	745	815	895	995	1155	1345	715	785	885	985	1185	1335	1535	1735	1935			

1) Without load backrest.

2) With load backrest; Height of standard load backrest is 1220 mm.

Pneumatic shaped cushion tyre			V								FV				FW				FSV					FSW						
C3E180II	Tilt range, forward	deg	5	5	5	5	5	5	5	5	5	5	5	5	5	5	5	5	5	5	5	5	5	5	5	5	5	5	5	5
	Tilt range, backward	deg	7(5)	7(5)	7(5)	7(5)	7(5)	7(5)	7(5)	7(5)	7(5)	7(5)	7(5)	7(5)	7(5)	7(5)	7(5)	7(5)	7(5)	7(5)	7(5)	7(5)	7(5)	7(5)	7(5)	7(5)	7(5)	7(5)	7(5)	7(5)
	Load capacity at 500 mm LC	kg	1800	1800	1800	1800	1800	1700	1600	1800	1800	1800	1800	1800	1800	1800	1800	1800	1800	1750	1720	1700	1620	1500	1350	1750	1720	1700	1620	1500
C3E180LII	Tilt range, forward	deg	5	5	5	5	5	5	5	5	5	5	5	5	5	5	5	5	5	5	5	5	5	5	5	5	5	5	5	5
	Tilt range, backward	deg	7(5)	7(5)	7(5)	7(5)	7(5)	7(5)	7(5)	7(5)	7(5)	7(5)	7(5)	7(5)	7(5)	7(5)	7(5)	7(5)	7(5)	7(5)	7(5)	7(5)	7(5)	7(5)	7(5)	7(5)	7(5)	7(5)	7(5)	7(5)
	Load capacity at 500 mm LC	kg	1800	1800	1800	1800	1800	1750	1700	1800	1800	1800	1800	1800	1800	1800	1800	1800	1800	1700	1700	1650	1650	1500	1300	1750	1700	1650	1650	1500

Data in () are for when "Cabin Series" is selected (minimum front windshield).



Underclearance		
Mast, load	mm	80
Drive axle, load	mm	81
Center of wheelbase, load	mm	90
Counterweight, no load	mm	55
Frame, load	mm	75

Frame underclearance for battery side-out model is 10 mm less than standard model.

C3E200II

Specifications					C3E200II
Identification	1.1	Manufacturer			Toyota
	1.2	Model			C3E200II
	1.3	Drive			Electric
	1.4	Operator type			Rider seated
	1.5	Load capacity/rated load	Q	kg	2000
	1.6	Load centre	c	mm	500
	1.8	Load distance, centre of drive axle to fork	x	mm	317
	1.9	Wheelbase	y	mm	1521
Weight	2.1	Service weight			3342
	2.2	Axle load, with load, front/rear			4746/596
	2.3	Axle load, without load, front/rear			1619/1723
Tyres	3.1	Tyre - pneumatic (P), pneumatic shaped cushion (SE), solid rubber (R)			SE
	3.2	Tyre size, front			200/50 - 10
	3.3	Tyre size, rear			140/55 - 9
	3.5	Wheels, number front/rear (x = driven wheels)			2x/2
	3.6	Track width, front	b_{10}	mm	925
	3.7	Track width, rear	b_{11}	mm	186,2
	Dimensions	4.1	Tilt of mast/fork carriage forward/backward	α/β	deg
4.2		Height, mast lowered	h_1	mm	2120
4.3		Free lift	h_2	mm	115
4.4		Lift	h_3	mm	3300
		Lift height	h_{23}	mm	3335
4.5		Height, mast extended	h_4	mm	3870
4.7		Height of overhead guard (cab)	h_6	mm	2055
4.8		Seat height/stand height	h_7	mm	1059
4.12		Coupling height	h_{10}	mm	543
4.19		Overall length	l_1	mm	2988
4.20		Length to face of forks	l_2	mm	1988
4.21		Overall width	b_1	mm	1152
4.22		Fork dimensions	s/e/l	mm	35/120/1000
4.23		Fork carriage DIN 15 173, class/type A, B			IIA
4.24		Fork-carriage width	b_3	mm	920
4.31		Ground clearance, with load, below mast	m_1	mm	90
4.32		Ground clearance, centre of wheelbase	m_2	mm	97
4.33		Aisle width for pallets 1000x1200 crossways	A_{st}	mm	3318
4.34		Aisle width for pallets 800x1200 lengthways	A_{st}	mm	3440
4.35		Turning radius	W_a	mm	1671
4.36	Internal turning radius	b_{13}	mm	0	
Performance data	5.1	Travel speed, with/without load		km/h	16/16
	5.2	Lift speed, with/without load		m/s	0,38/0,54
	5.3	Lowering speed, with/without load		m/s	0,52/0,50
	5.5	Drawbar pull, with/without load		N	4839/5046
	5.6	Max. drawbar pull, with/without load		N	9145/9188
	5.7	Gradeability, with/without load		%	13,2/24,4
	5.8	Max. gradeability, with/without load		%	18,0/24,4
	5.9	Acceleration time, with/without load		s	4,7/4,3
	5.10	Service brake			Hydraulic
	Electric motor	6.1	Drive motor rating S2 60 min		kW
6.2		Lift motor rating S2 5 min		kW	11,7
6.3		Battery according to DIN 43 531/35/36 A, B, C, no			43 531A
6.4		Battery voltage, nominal capacity K_5		V/Ah	48/660
6.5		Battery weight		kg	1013
6.6		Energy consumption acc. to EN16796:2016		kWh/h	4.5
Other	8.1	Type of drive control			inverter MOSFET
	8.2	Operating pressure for attachments		bar	183
	8.3	Oil volume for attachments		l/min	41,3
	8.4	Sound level at the driver's ear according to EN 12 053		dB(A)	69,7

Mast dimensions and rated capacities

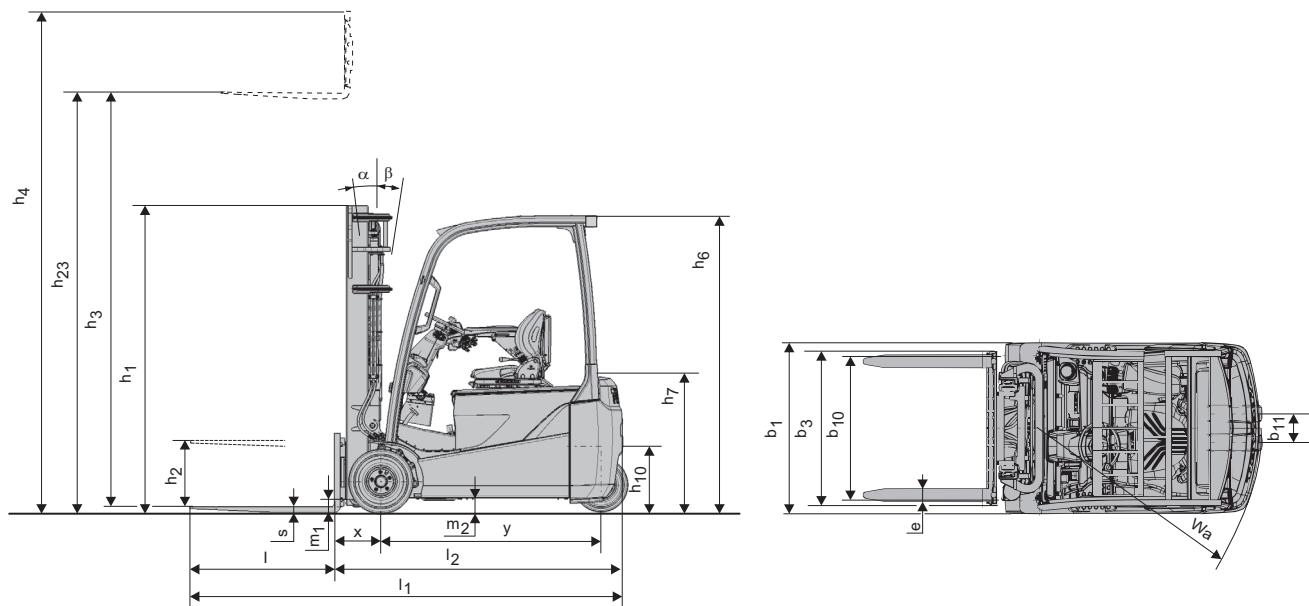
Model		V								FV				FW				FSV				FSW										
C3E200II	Lift height	h_{23}	3035	3335	3535	3735	4035	4535	5035	3035	3335	3535	3735	3035	3335	3535	3735	4335	4535	4735	5035	5535	6035	6335	6535	7035	7535	7035	7535			
	Lift	h_3	3000	3300	3500	3700	4000	4500	5000	3000	3300	3500	3700	3000	3300	3500	3700	4300	4500	4700	5000	5500	6000	6300	6500	7000	7500	7000	7500			
	Height, mast lowered	h_1	1970	2120	2220	2380	2570	2820	3070	1970	2120	2220	2380	2000	2150	2250	2350	1970	2040	2120	2220	2380	2570	1980	2050	2150	2250	2450	2600	2800	3000	3200
	Height, mast extended ¹⁾	h_4	3570	3870	4070	4270	4570	5070	5570	3580	3880	4080	4280	3555	3855	4055	4255	4845	5045	5245	5545	6045	6545	6845	7045	7545	8045	7545	8045			
	Height, mast extended ²⁾	h_4	4260	4560	4760	4960	5260	5760	6260	4260	4560	4760	4960	4260	4560	4760	4960	5760	5960	6260	6760	7260	7560	7960	8260	8760	8760	8760	8760			
	Free lift, without load backrest	h_2	80	80	80	80	80	80	80	1430	1580	1680	1840	1440	1590	1690	1790	1460	1530	1610	1710	1870	2060	1430	1500	1600	1700	1900	2050	2250	2450	2650
Free lift, with load backrest	h_2	80	80	80	80	80	80	80	745	895	995	1155	735	885	985	1085	745	815	895	995	1155	1345	715	785	885	985	1185	1335	1535	1735	1935	

1) Without load backrest.

2) With load backrest; Height of standard load backrest is 1220 mm.

Pneumatic shaped cushion tyre		V								FV				FW				FSV				FSW											
C3E200II	Tilt range, forward	deg	5	5	5	5	5	5	5	5	5	5	5	5	5	5	5	5	5	5	5	5	5	5	5	5	5	5	5	5	5	5	5
	Tilt range, backward	deg	7(5)	7(5)	7(5)	7(5)	7(5)	7(5)	7(5)	7(5)	7(5)	7(5)	7(5)	7(5)	7(5)	7(5)	7(5)	7(5)	7(5)	7(5)	7(5)	7(5)	7(5)	7(5)	7(5)	7(5)	7(5)	7(5)	7(5)	7(5)	7(5)	7(5)	
	Load capacity at 500 mm LC	kg	2000	2000	2000	2000	2000	1950	2000	2000	2000	2000	2000	2000	2000	2000	1950	1920	1900	1800	1650	1550	1950	1920	1900	1850	1750	1550	1250	1000	800		

Data in () are for when "Cabin Series" is selected (minimum front windshield).



Underclearance		
Mast, load	mm	90
Drive axle, load	mm	92
Center of wheelbase, load	mm	97
Counterweight, no load	mm	55
Frame, load	mm	84

Frame underclearance for battery side-out model is 10 mm less than standard model.

C4E160(L)II, C4E180LII, C4E200(L)II

Specifications					C4E160II	C4E160LII	C4E180LII	C4E200II	C4E200LII
Identification	1.1	Manufacturer			Toyota	Toyota	Toyota	Toyota	Toyota
	1.2	Model			8FBMK16T	8FBMK16T	8FBMK18T	8FBMK20T	8FBMK20T
	1.3	Drive			Electric	Electric	Electric	Electric	Electric
	1.4	Operator type			Rider seated	Rider seated	Rider seated	Rider seated	Rider seated
	1.5	Load capacity/rated load	Q	kg	1600	1600	1800	2000	2000
	1.6	Load centre	c	mm	500	500	500	500	500
	1.8	Load distance, centre of drive axle to fork	x	mm	317	317	317	317	317
	1.9	Wheelbase	Y	mm	1453	1561	1561	1453	1561
	Weight	2.1	Service weight			2952	2973	3071	3274
§		Axle load, with load, front/rear			4056/496	4077/496	4368/503	4661/613	4708/553
2.3		Axle load, without load, front/rear			1500/1452	1586/1387	1573/1498	1480/1794	1609/1652
Tyres	3.1	Tyre - pneumatic (P), pneumatic shaped cushion (SE), solid rubber (R)			SE	SE	SE	SE	SE
	3.2	Tyre size, front			18x7-8	18x7-8	18x7-8	200/50-10	200/50-10
	3.3	Tyre size, rear			16x6-8	16x6-8	16x6-8	16x6-8	16x6-8
	3.5	Wheels, number front/rear (x = driven wheels)			2x/2	2x/2	2x/2	2x/2	2x/2
	3.6	Track width, front	b ₁₀	mm	905	905	905	925	925
	3.7	Track width, rear	b ₁₁	mm	880	880	880	880	880
	Dimensions	4.1	Tilt of mast/fork carriage forward/backward	α/β	deg	5/7	5/7	5/7	5/7
4.2		Height, mast lowered	h ₁	mm	2120	2120	2120	2120	2120
4.3		Free lift	h ₂	mm	115	115	115	115	115
4.4		Lift	h ₃	mm	3300	3300	3300	3300	3300
		Lift height	h ₂₃	mm	3335	3335	3335	3335	3335
4.5		Height, mast extended	h ₄	mm	3870	3870	3870	3870	3870
4.7		Height of overhead guard (cab)	h ₆	mm	2055	2055	2055	2055	2055
4.8		Seat height/stand height	h ₇	mm	1051	1051	1051	1051	1059
4.12		Coupling height	h ₁₀	mm	427	427	427	427	427
4.19		Overall length	l ₁	mm	3014	3122	3122	3044	3122
4.20		Length to face of forks	l ₂	mm	2014	2122	2122	2044	2122
4.21		Overall width	b ₁	mm	1060	1060	1060	1152	1152
4.22		Fork dimensions	s/e/l	mm	35/100/1000	35/100/1000	35/100/1000	35/120/1000	35/120/1000
4.23		Fork carriage DIN 15 173, class/type A, B			IIA	IIA	IIA	IIA	IIA
4.24		Fork-carriage width	b ₃	mm	920	920	920	920	920
4.31		Ground clearance, with load, below mast	m ₁	mm	80	80	80	90	90
4.32		Ground clearance, centre of wheelbase	m ₂	mm	101	101	101	107	107
4.33		Aisle width for pallets 1000x1200 crossways	A _{st}	mm	3327	3438	3438	3357	3438
4.34	Aisle width for pallets 800x1200 lengthways	A _{st}	mm	3460	3568	3568	3490	3568	
4.35	Turning radius	W _a	mm	1707	1811	1811	1737	1811	
4.36	Internal turning radius	b ₁₃	mm	68	49	49	68	49	
Performance data	5.1	Travel speed, with/without load		km/h	20/20	20/20	20/20	20/20	20/20
	5.2	Lift speed, with/without load		m/s	0,43/0,61	0,43/0,61	0,42/0,61	0,38/0,54	0,38/0,54
	5.3	Lowering speed, with/without load		m/s	0,53/0,55	0,53/0,55	0,53/0,55	0,52/0,50	0,52/0,50
	5.5	Drawbar pull, with/without load		N	5083/5171	4998/5143	4998/5143	4851/5055	4851/5055
	5.6	Max. drawbar pull, with/without load		N	9534/9437	9448/9409	9448/9409	9157/9197	9157/9197
	5.7	Gradeability, with/without load		%	17,3/22,4	15,3/24,2	15,3/24,2	13,4/24,6	13,4/24,6
	5.8	Max. gradeability, with/without load		%	23,6/22,4	21,0/24,2	21,0/24,2	18,3/24,6	18,3/24,6
	5.9	Acceleration time, with/without load		s	4,6/4,2	4,6/4,2	4,7/4,3	4,7/4,3	4,7/4,3
	5.10	Service brake			Hydraulic	Hydraulic	Hydraulic	Hydraulic	Hydraulic
	Electric motor	6.1	Drive motor rating S2 60 min		kW	6x2	6x2	6x2	6x2
6.2		Lift motor rating S2 5 min		kW	11,7	11,7	11,7	11,7	11,7
6.3		Battery according to DIN 43 531/35/36 A, B, C, no			43 531A	43 531A	43 531A	43 531A	43 531A
6.4		Battery voltage, nominal capacity K _s		V/Ah	48/550	48/660	48/660	48/550	48/660
6.5		Battery weight		kg	856	1013	1013	856	1013
6.6		Energy consumption acc. to EN16796:2016		kWh/h	4,5	4,5	4,8	5,1	5,1
Other	8.1	Type of drive control			inverter MOSFET	inverter MOSFET	inverter MOSFET	inverter MOSFET	inverter MOSFET
	8.2	Operating pressure for attachments		bar	183	183	183	183	183
	8.3	Oil volume for attachments		l/min	41,3	41,3	41,3	41,3	41,3
	8.4	Sound level at the driver's ear according to EN 12 053		dB(A)	71,5	71,5	71,5	71,5	71,5

Mast dimensions and rated capacities

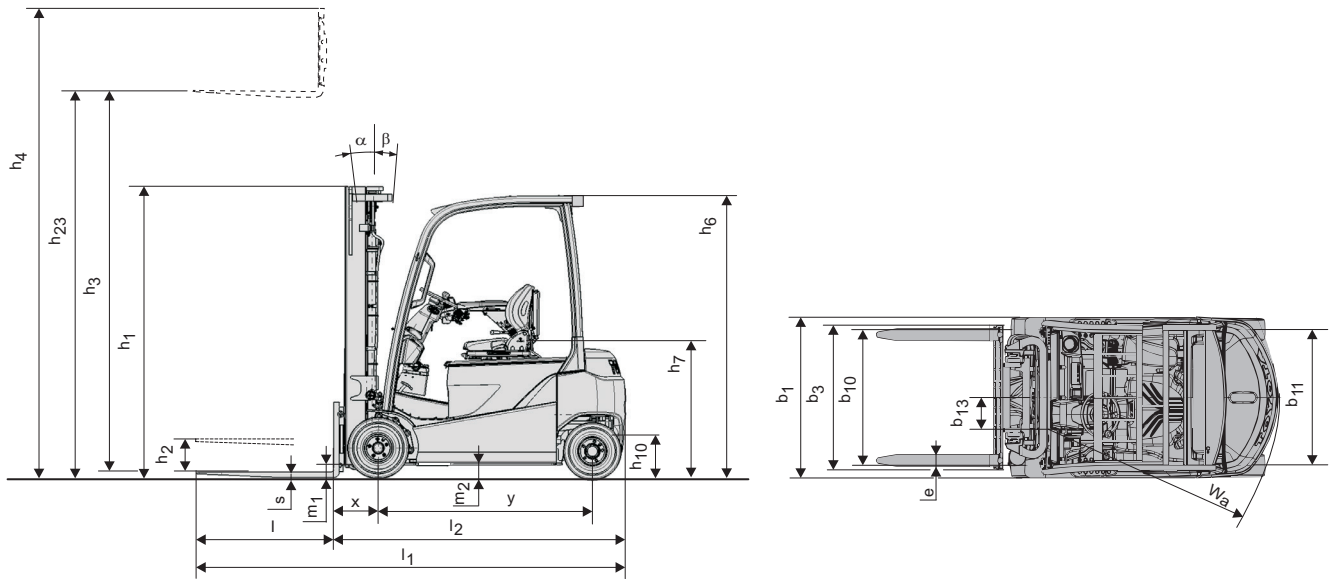
Model			V								FV				FW				FSV						FSW									
C4E160(L)II/ C4E180(L)II/ C4E200(L)II	Lift height	h_{23}	3035	3335	3535	3735	4035	4535	5035	3035	3335	3535	3735	3035	3335	3535	3735	4335	4535	4735	5035	5535	6035	4335	4535	4735	5035	5535	6035	6535	7035	7535		
	Lift	h_3	3000	3300	3500	3700	4000	4500	5000	3000	3300	3500	3700	3000	3300	3500	3700	3500	3700	4300	4500	4700	5000	5500	6000	4300	4500	4700	5000	5500	6000	6500	7000	7500
	Height, mast lowered	h_1	1970	2120	2220	2380	2570	2820	3070	1970	2120	2220	2380	2000	2150	2250	2350	1970	2040	2120	2220	2380	2570	1980	2050	2150	2250	2450	2600	2800	3000	3200		
	Height, mast extended ¹⁾	h_4	3570	3870	4070	4270	4570	5070	5570	3580	3880	4080	4280	3555	3855	4055	4255	4845	5045	5245	5545	6045	6545	4845	5045	5245	5545	6045	6545	7045	7545	8045		
	Height, mast extended ²⁾	h_4	4260	4560	4760	4960	5260	5760	6260	4260	4560	4760	4960	4260	4560	4760	4960	4760	4960	5560	5760	5960	6260	6760	7260	5560	5760	5960	6260	6760	7260	7760	8260	8760
	Free lift, without load backrest	h_2	80	80	80	80	80	80	80	1430	1580	1680	1840	1440	1590	1690	1790	1460	1530	1610	1710	1870	2060	1430	1500	1600	1700	1900	2050	2250	2450	2650		
Free lift, with load backrest	h_2	80	80	80	80	80	80	80	745	895	995	1155	735	885	985	1085	745	815	895	995	1155	1345	715	785	885	985	1185	1335	1535	1735	1935			

1) Without load backrest.

2) With load backrest; Height of standard load backrest is 1220 mm.

Pneumatic shaped cushion tyre			V								FV				FW				FSV						FSW					
C4E160II	Tilt range, forward	deg	5	5	5	5	5	5	5	5	5	5	5	5	5	5	5	5	5	5	5	5	5	5	5	5	5	5	5	5
	Tilt range, backward	deg	7(5)	7(5)	7(5)	7(5)	7(5)	7(5)	7(5)	7(5)	7(5)	7(5)	7(5)	7(5)	7(5)	7(5)	7(5)	7(5)	7(5)	7(5)	7(5)	7(5)	7(5)	7(5)	7(5)	7(5)	7(5)	7(5)	7(5)	7(5)
	Load capacity at 500 mm LC	kg	1600	1600	1600	1600	1600	1600	1450	1600	1600	1600	1600	1600	1600	1600	1600	1600	1600	1550	1550	1500	1450	1400	1250	1550	1550	1500	1450	1400
C4E180LII	Tilt range, forward	deg	5	5	5	5	5	5	5	5	5	5	5	5	5	5	5	5	5	5	5	5	5	5	5	5	5	5	5	5
	Tilt range, backward	deg	7(5)	7(5)	7(5)	7(5)	7(5)	7(5)	7(5)	7(5)	7(5)	7(5)	7(5)	7(5)	7(5)	7(5)	7(5)	7(5)	7(5)	7(5)	7(5)	7(5)	7(5)	7(5)	7(5)	7(5)	7(5)	7(5)	7(5)	7(5)
	Load capacity at 500 mm LC	kg	1600	1600	1600	1600	1600	1600	1600	1600	1600	1600	1600	1600	1600	1600	1600	1600	1600	1600	1600	1600	1550	1450	1200	1600	1600	1600	1550	1450
C4E180LII	Tilt range, forward	deg	5	5	5	5	5	5	5	5	5	5	5	5	5	5	5	5	5	5	5	5	5	5	5	5	5	5	5	5
	Tilt range, backward	deg	7(5)	7(5)	7(5)	7(5)	7(5)	7(5)	7(5)	7(5)	7(5)	7(5)	7(5)	7(5)	7(5)	7(5)	7(5)	7(5)	7(5)	7(5)	7(5)	7(5)	7(5)	7(5)	7(5)	7(5)	7(5)	7(5)	7(5)	7(5)
	Load capacity at 500 mm LC	kg	1800	1800	1800	1800	1800	1750	1700	1800	1800	1800	1800	1800	1800	1800	1800	1800	1800	1700	1700	1700	1680	1450	1250	1700	1700	1700	1680	1480
C4E200II	Tilt range, forward	deg	5	5	5	5	5	5	5	5	5	5	5	5	5	5	5	5	5	5	5	5	5	5	5	5	5	5	5	5
	Tilt range, backward	deg	7(5)	7(5)	7(5)	7(5)	7(5)	7(5)	7(5)	7(5)	7(5)	7(5)	7(5)	7(5)	7(5)	7(5)	7(5)	7(5)	7(5)	7(5)	7(5)	7(5)	7(5)	7(5)	7(5)	7(5)	7(5)	7(5)	7(5)	7(5)
	Load capacity at 500 mm LC	kg	2000	2000	2000	2000	2000	1950	1900	2000	2000	2000	2000	2000	2000	2000	2000	2000	2000	1950	1950	1950	1800	1650	1550	1950	1950	1950	1900	1850
C4E200LII	Tilt range, forward	deg	5	5	5	5	5	5	5	5	5	5	5	5	5	5	5	5	5	5	5	5	5	5	5	5	5	5	5	5
	Tilt range, backward	deg	7(5)	7(5)	7(5)	7(5)	7(5)	7(5)	7(5)	7(5)	7(5)	7(5)	7(5)	7(5)	7(5)	7(5)	7(5)	7(5)	7(5)	7(5)	7(5)	7(5)	7(5)	7(5)	7(5)	7(5)	7(5)	7(5)	7(5)	7(5)
	Load capacity at 500 mm LC	kg	2000	2000	2000	2000	2000	1900	2000	2000	2000	2000	2000	2000	2000	2000	2000	2000	2000	1950	1950	1900	1800	1650	1550	1950	1950	1900	1850	1800

Data in () are for when "Cabin Series" is selected (minimum front windshield).



Underclearance		16	18	20
Mast, load	mm	80	80	90
Drive axle, load	mm	81	81	92
Steer axle, no load	mm	103	103	103
Counterweight, no load	mm	101	101	107
Frame, load	mm	100	100	99

Frame underclearance for battery side-out model is 10 mm less than standard model.

Rated capacities at different load centres

C3E150II			V, FV, FW		FSV, FSW						FSV		FSW			
	h ₃	mm	4500	5000	4300	4500	4700	5000	5500	6000	6000	6500	7000	7500		
	Q at 500 (c)	kg	1500	1450	1470	1440	1420	1390	1340	1150	1150	850	650	450		
	600 (c)	kg	1340	1300	1310	1280	1260	1230	1190	1010	1020	750	570	400		
	1000 (c)	kg	940	910	910	900	890	860	830	680	710	520	400	280		

C3E160II			V, FV, FW		FSV, FSW						FSW			
	h ₃	mm	4500	5000	4300	4500	4700	5000	5500	6000	6500	7000	7500	
	Q at 500 (c)	kg	1600	1600	1600	1550	1530	1500	1450	1300	1000	750	550	
	600 (c)	kg	1430	1430	1420	1380	1360	1330	1290	1160	890	670	490	
	1000 (c)	kg	1010	1010	990	960	950	930	900	820	630	470	340	

C3E160LII			V, FV, FW		FSV, FSW						FSW			
	h ₃	mm	4500	5000	4300	4500	4700	5000	5500	6000	6500	7000	7500	
	Q at 500 (c)	kg	1600	1600	1600	1600	1560	1510	1400	1300	1000	750	550	
	600 (c)	kg	1430	1430	1420	1420	1390	1340	1240	1160	890	660	490	
	1000 (c)	kg	1010	1010	990	990	960	930	860	800	630	460	340	

C3E180II			V, FV, FW		FSV, FSW						FSW			
	h ₃	mm	4000	4500	5000	4300	4500	4700	5000	5500	6000	6500	7000	7500
	Q at 500 (c)	kg	1800	1700	1600	1750	1720	1700	1620	1500	1350	1050	800	550
	600 (c)	kg	1610	1520	1430	1550	1530	1510	1440	1330	1210	940	720	490
	1000 (c)	kg	1040	1040	1010	1040	1040	1040	1000	930	850	660	500	360

C3E180LII			V, FV, FW		FSV						FSW									
	h ₃	mm	4000	4500	5000	4300	4500	4700	5000	5500	6000	4300	4500	4700	5000	5500	6000	6500	7000	7500
	Q at 500 (c)	kg	1800	1750	1700	1700	1700	1650	1650	1500	1300	1750	1700	1650	1650	1500	1300	1000	800	550
	600 (c)	kg	1610	1550	1510	1510	1510	1470	1470	1330	1150	1560	1510	1470	1470	1330	1150	890	710	490
	1000 (c)	kg	1040	1040	1040	1050	1050	1020	1010	930	800	1100	1050	1020	1010	930	800	620	490	340

C3E200II			V, FV, FW		FSV						FSW								
	h ₃	mm	4500	5000	4300	4500	4700	5000	5500	6000	4300	4500	4700	5000	5500	6000	6500	7000	7500
	Q at 500 (c)	kg	2000	1950	1950	1920	1900	1800	1650	1550	1950	1920	1900	1850	1750	1550	1250	1000	800
	600 (c)	kg	1790	1700	1680	1680	1680	1550	1420	1340	1680	1680	1680	1640	1550	1380	1110	890	710
	1000 (c)	kg	1260	1150	1140	1140	1140	1010	930	870	1140	1100	1100	1070	1070	960	770	620	490

C4E160II			V, FV, FW		FSV, FSW						FSV		FSW			
	h ₃	mm	4500	5000	4300	4500	4700	5000	5500	6000	6000	6500	7000	7500		
	Q at 500 (c)	kg	1600	1450	1550	1550	1500	1450	1400	1250	1250	1100	950	800		
	600 (c)	kg	1430	1290	1390	1390	1340	1300	1240	1190	1110	980	840	710		
	1000 (c)	kg	1010	900	980	980	940	910	860	830	770	680	590	470		

C4E160LII			V, FV, FW		FSV, FSW						FSW			
	h ₃	mm	4500	5000	4300	4500	4700	5000	5500	6000	6500	7000	7500	
	Q at 500 (c)	kg	1600	1600	1600	1600	1600	1550	1450	1200	1000	800	650	
	600 (c)	kg	1430	1430	1420	1420	1420	1380	1290	1060	890	710	570	
	1000 (c)	kg	1010	1010	990	990	990	960	900	740	620	490	400	

C3E180LII			V, FV, FW		FSV, FSW						FSV		FSW			
	h ₃	mm	4000	4500	5000	4300	4500	4700	5000	5500	6000	5500	6000	6500	7000	7500
	Q at 500 (c)	kg	1800	1750	1700	1700	1700	1700	1680	1450	1250	1480	1250	1100	850	800
	600 (c)	kg	1610	1550	1510	1510	1510	1510	1490	1290	1110	1310	1110	980	750	710
	1000 (c)	kg	1040	1040	1040	1040	1040	1040	1010	900	770	910	770	680	520	470

C4E200II			V, FV, FW		FSV						FSW								
	h ₃	mm	4500	5000	4300	4500	4700	5000	5500	6000	4300	4500	4700	5000	5500	6000	6500	7000	7500
	Q at 500 (c)	kg	2000	1950	1950	1950	1950	1800	1650	1550	1950	1950	1950	1900	1850	1600	1200	900	800
	600 (c)	kg	1790	1700	1680	1680	1680	1550	1420	1340	1680	1680	1680	1640	1640	1420	1060	800	710
	1000 (c)	kg	1260	1100	1100	1100	1100	1010	930	870	1100	1100	1100	1070	1070	990	740	550	490

C4E200LII			V, FV, FW		FSV						FSW								
	h ₃	mm	4500	5000	4300	4500	4700	5000	5500	6000	4300	4500	4700	5000	5500	6000	6500	7000	7500
	Q at 500 (c)	kg	2000	1900	1950	1950	1900	1800	1650	1550	1950	1950	1900	1850	1800	1650	1350	1050	950
	600 (c)	kg	1790	1680	1680	1680	1680	1550	1420	1340	1680	1680	1680	1640	1600	1470	1200	930	840
	1000 (c)	kg	1260	1100	1140	1140	1100	1010	930	870	1100	1100	1100	1070	1070	1010	830	650	580

Mast dimensions and performance

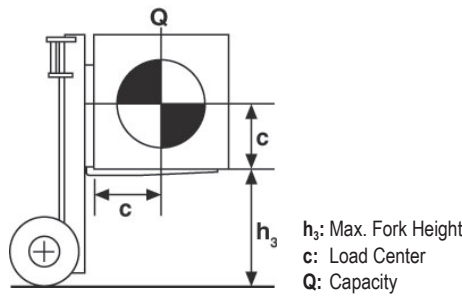
Model				C3E150II														
Type of mast				V			FV			FW			FSV			FSW		
Performance																		
Power mode				H	P	S	H	P	S	H	P	S	H	P	S	H	P	S
Speeds	Lifting	Full load	mm/sec	440	340	290	410	330	260	440	350	280	410	330	260	420	330	260
		No load	mm/sec	610	570	540	560	520	500	570	540	500	570	530	510	570	540	510
	Lowering	Full load	mm/sec	530	530	530	490	490	490	490	490	490	510	510	510	500	500	500
		No load	mm/sec	510	510	510	370	370	370	430	430	430	440	440	440	440	440	440
Dimensions, mm																		
Load distance (Centerline of front axle to front face of forks)				317			317			314			319			321		

Model				C3E160(L)II/C4E160(L)II														
Type of mast				V			FV			FW			FSV			FSW		
Performance																		
Power mode				H	P	S	H	P	S	H	P	S	H	P	S	H	P	S
Speeds	Lifting	Full load	mm/sec	440	330	280	410	330	260	430	330	270	410	320	250	410	320	250
		No load	mm/sec	610	570	540	560	520	500	570	540	500	570	530	510	570	540	510
	Lowering	Full load	mm/sec	530	530	530	490	490	490	490	490	490	510	510	510	500	500	500
		No load	mm/sec	510	510	510	370	370	370	430	430	430	440	440	440	440	440	440
Dimensions, mm																		
Load distance (Centerline of front axle to front face of forks)				317			317			314			319			321		

Model				C3E180(L)II/C4E180LII														
Type of mast				V			FV			FW			FSV			FSW		
Performance																		
Power mode				H	P	S	H	P	S	H	P	S	H	P	S	H	P	S
Speeds	Lifting	Full load	mm/sec	420	300	230	390	290	240	410	290	250	400	290	230	400	270	210
		No load	mm/sec	610	570	540	560	520	500	570	540	500	570	530	510	570	540	510
	Lowering	Full load	mm/sec	530	530	530	490	490	490	490	490	490	490	490	490	500	500	500
		No load	mm/sec	510	510	510	370	370	370	430	430	430	440	440	440	440	440	440
Dimensions, mm																		
Load distance (Centerline of front axle to front face of forks)				317			317			321			319			321		

Model				C3E200II/C4E200(L)II														
Type of mast				V			FV			FW			FSV			FSW		
Performance																		
Power mode				H	P	S	H	P	S	H	P	S	H	P	S	H	P	S
Speeds	Lifting	Full load	mm/sec	370	260	220	350	240	200	360	260	220	350	240	200	350	240	200
		No load	mm/sec	530	490	450	480	420	400	490	460	440	490	460	440	490	460	440
	Lowering	Full load	mm/sec	550	550	550	460	460	450	450	450	450	510	510	510	500	500	500
		No load	mm/sec	510	510	510	340	340	340	330	330	330	390	390	390	390	390	390
Dimensions, mm																		
Load distance (Centerline of front axle to front face of forks)				317			317			321			319			321		

H - High power mode
P - Power mode
S - Standard mode

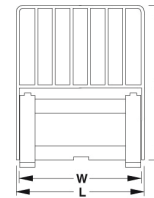


Fork availability

Unit: mm									
Model	Length	Width	Thickness	Long forks	Model	Length	Width	Thickness	Long forks
C3E150II	800	100	35	●	C3E200II C4E200(L)II	800	120	35	●
	1000	100	35	○		1000	120	35	○
C3E160(L)II, 180(L)II	1100	100	35	●		1100	120	35	●
C4E160(L)II, 180(L)II	1200	100	35	●		1200	120	35	●
	1400	100	35	●		1400	120	35	●
	1600	100	35	●		1600	120	35	●

Forkbar and backrest availability

Model	H	L W	Unit: mm	
			980	1080
			920	1020
C3E150II, C3E160(L)II/180(L)II, C4E160(L)II, 180LII	1220		●	
8FBE20T, 8FBM(K)20T	1220		●	●



L: Outside width of load backrest
W: Length of forkbar
H: Height of load backrest

Mast interchangeability

Model					
	V	FV	FSV	FW	FSW
C3E150II, C3E160(L)II, C4E160(L)II	●	●	●	●	●
C3E180(L)II, C4E180LII	●	●	●	●	●
C3E200II, C4E200(L)II	●	●	●	●	●

The tilt cylinders have to be exchanged at the same time between V, FV, FSV masts and FW, FSW masts.
Masts of the new model [C3E**T/C4E**T] are not interchangeable with the older models.

Mast weight

Mast		V								FV				FW			
		3000	3300	3500	3700	4000	4500	5000	3000	3300	3500	3700	3000	3300	3500	3700	
Maximum fork height	mm	3000	3300	3500	3700	4000	4500	5000	3000	3300	3500	3700	3000	3300	3500	3700	
C3E150II, C3E160(L)II, C4E160(L)II	kg	440	460	475	495	545	580	610	480	500	520	550	400	420	435	445	
C3E180(L)II, C4E180LII	kg	440	460	475	495	545	580	610	480	500	520	550	470	495	510	530	
C3E200II, C4E200(L)II	kg	445	465	475	495	550	580	615	480	500	520	550	470	495	510	530	

Mast		FSV								FSW							
		4300	4500	4700	5000	5500	6000	4300	4500	4700	5000	5500	6000	6500	7000	7500	
Maximum fork height	mm	4300	4500	4700	5000	5500	6000	4300	4500	4700	5000	5500	6000	6500	7000	7500	
C3E150II, C3E160(L)II, C4E160(L)II	kg	590	605	620	645	705	755	605	620	645	665	715	750	820	865	910	
C3E180(L)II, C4E180LII	kg	590	605	620	645	705	755	605	620	645	665	715	750	820	865	910	
C3E200II, C4E200(L)II	kg	590	605	620	650	710	760	605	620	645	670	715	750	820	870	915	

Note: The figures are without load backrest and forks. The figures presented in this chart have been rounded off to the nearest number (multiple of 5 kg).

Lead acid battery availability

Model	Voltage	DIN Type	Capacity [AH5HR]	DIN battery case dimensions (mm)			DIN battery weight \pm 5% kg	Toyota min. required batt. weight kg	Toyota max. allowed batt. weight kg	Operating time *
				Length	Width	Height				
C3E150II	48	43 531A 4PzS440L	420	522	830	627	708	673	744	5h 10m
			460				708	673	744	5h 50m
			500				708	673	790	6h 20m
C3E160II	48	43 531A 5PzS550L	525	630	830	627	856	813	899	6h 50m
			575				856	813	899	7h 30m
			625				856	813	919	8h 10m
C3E160LII	48	43 531A 6PzS660L	630	738	830	627	1013	963	1064	8h 10m
			690				1013	963	1064	9h 00m
			750				1013	963	1090	9h 50m
C3E180II	48	43 531A 5PzS550L	525	630	830	627	856	813	899	6h 20m
			575				856	813	899	7h 00m
			625				856	813	919	7h 40m
C3E180LII	48	43 531A 6PzS660L	630	738	830	627	1013	963	1064	8h 00m
			690				1013	963	1064	8h 40m
			750				1013	963	1090	9h 30m
C3E180LII	48	43 531A 6PzS660L	630	738	830	627	1013	963	1064	7h 10m
			690				1013	963	1064	8h 00m
			750				1013	963	1090	8h 40m
C4E160II	48	43 531A 5PzS550L	525	630	830	627	856	813	899	5h 20m
			575				856	813	899	6h 00m
			625				856	813	919	6h 30m
C4E160LII	48	43 531A 6PzS660L	630	738	830	627	1013	963	1064	6h 40m
			690				1013	963	1064	7h 10m
			750				1013	963	1090	7h 50m
C4E180LII	48	43 531A 6PzS660L	630	738	830	627	1013	963	1064	6h 00m
			690				1013	963	1064	6h 30m
			750				1013	963	1090	7h 10m
C4E200II	48	43 531A 5PzS550L	525	630	830	627	856	813	899	4h 40m
			575				856	813	899	5h 00m
			625				856	813	919	5h 30m
C4E200LII	48	43 531A 6PzS660L	630	738	830	627	1013	963	1064	5h 30m
			690				1013	963	1064	6h 10m
			750				1013	963	1090	6h 40m

Dimensions and battery types are the same for STD battery and OPT battery (for sideways battery exchange).

Battery brands available from the factory are *Energys/Hawker* and *Exide*. Battery connector: DIN 43589 Auxiliary Electrode (320A).

* According to Toyota cycle. Computed values for operating time are for S-mode. Indication for P-mode: 80% of S-mode. Indication for H-mode: 65% of S-mode

Tyre availability

	Pneumatic shaped cushion										Pneumatic shaped cushion non-marking									
	Front					Rear					Front					Rear				
	18x7-8 / 4.33	200/50-10/6.50	18x7-8 / 4.33	200/50-10/6.50	15X4.1/2-8/3.00	140/55-9/4.00	15X4.1/2-8/3.00	140/55-9/4.00	18x7-8 / 4.33	200/50-10/6.50	18x7-8 / 4.33	200/50-10/6.50	15X4.1/2-8/3.00	140/55-9/4.00	15X4.1/2-8/3.00	140/55-9/4.00				
Rim spec	SIT					SIT					SIT					SIT				
Rim size	4.33R-8	6.50F-10	4.33R-8	6.50F-10	3.00D-8	4.33R-8	3.00D-8	4.33R-8	3.00D-8	4.33R-8	6.50F-10	4.33R-8	3.00D-8	4.33R-8	3.00D-8	4.33R-8				
Overall width (mm)	1060	1152	1060	1152	—	—	—	—	—	—	1060	1152	—	—	—	—				
Tread, front (mm)	905	925	905	925	—	—	—	—	—	—	905	925	—	—	—	—				
Model/Brand	Continental					Marangoni / Solideal					Continental					Marangoni / Solideal				
C3E150II	○	—	●	—	○	—	—	—	—	—	●	—	—	—	—	—				
C3E160(L)II	○	—	●	—	○	—	—	—	—	—	●	—	—	—	—	—				
C3E180(L)II	○	—	●	—	—	○	—	—	—	—	●	—	—	—	—	●				
C3E200II	—	○	—	●	—	—	—	—	—	—	—	●	—	—	—	●				

	Pneumatic shaped cushion										Pneumatic shaped cushion non-marking									
	Front					Rear					Front					Rear				
	18x7-8 / 4.33	200/50-10/6.50	18x7-8 / 4.33	200/50-10/6.50	15X4.1/2-8/3.00	140/55-9/4.00	16X6-8/4.33	16X6-8/4.33	18x7-8 / 4.33	200/50-10/6.50	18x7-8 / 4.33	200/50-10/6.50	16X6-8/4.33	16X6-8/4.33	200/50-10/6.50	200/50-10/6.50				
Rim spec	SIT					SIT					SIT					SIT				
Rim size	4.33R-8	6.50F-10	4.33R-8	6.50F-10	4.33R-8	6.50F-10	4.33R-8	6.50F-10	4.33R-8	6.50F-10	4.33R-8	6.50F-10	4.33R-8	6.50F-10	4.33R-8	6.50F-10				
Overall width (mm)	1060	1152	1060	1152	1152	925	—	—	1060	1152	925	1060	1152	1060	1152	1152				
Tread, front (mm)	905	925	905	925	—	—	—	—	905	925	—	905	925	905	925	925				
Model/Brand	Continental					Marangoni / Solideal					Continental					Marangoni / Solideal				
C4E160(L)II	○	—	—	—	—	—	—	—	—	—	—	—	—	—	—	—				
C4E180LI	○	—	●	—	—	—	—	—	—	—	—	—	—	—	—	—				
C4E200(L)II	—	○	—	●	—	—	—	—	—	—	—	—	—	—	—	—				

Piping availability

Model	Mast type	3-way valves		4-way valves				
		Center termination	Right side termination	Center termination	Right side termination	Center termination	Left & right side termination	Center & left side termination
		A410		A430		A450		
C3E150II, C3E160(L)II, 180(L)II	V	●	—	●	—	●	—	—
C3E200II, C4E160(L)II, 180(L)II	FV, FW	—	●	—	●	—	●	●
C4E200(L)II	FSV, FSW	—	●	—	●	—	●	●

